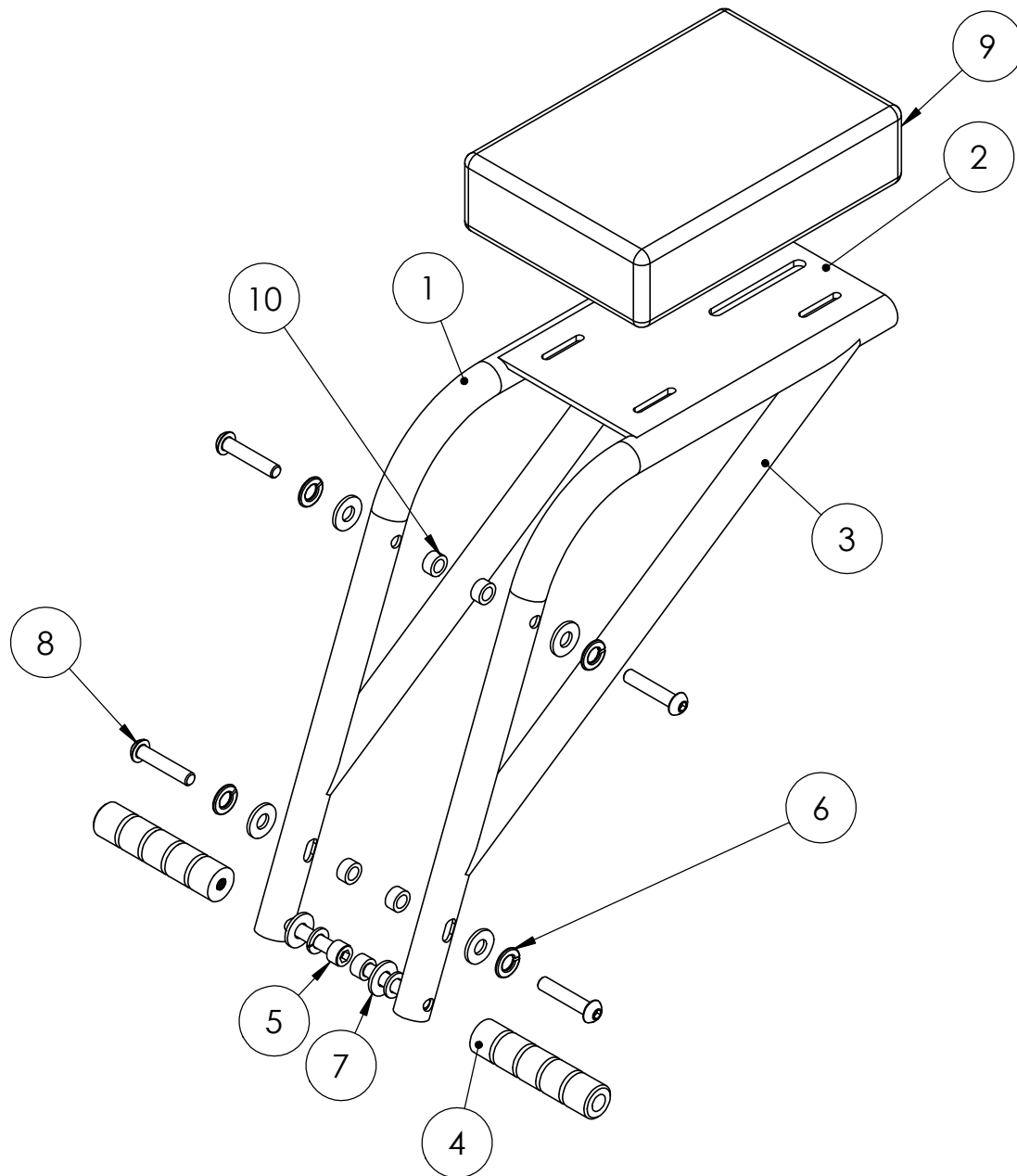


ITEM NO.	PART NUMBER	NAME	
1	P3-AF03-01-00-P	Tube 1	2
2	P3-AF03-03-00-P	Plate	1
3	P3-AF03-02-00-P	Tube 2	2
4	P3-AF03-04-00-P	Pegs	2
5	ISO 4762 M6 x 35 A2	Screw M6 x 35 cylindrical head	2
6	DIN 985 M6 A2	M6 Nut	2
7	DIN 125 M6 A2	M6 Washer	6
8	ISO 7380 - M6 x 110 A2	Screw M6 x 110 rounded head	2
9	Washer grower M6 A2	M6 Washer	2
10	P3-AF03-05-00-P	Cushion	1
11	Spacer M6 5mm aluminium black	Spacer (*)	4

(*) Spacers :
 Don't use Spacer with Front basket gen2
 Use 2 spacers on the right with Front basket gen1
 Use 4 spacers without front basket

Exploded view	43
Front frame seat	
P3-AF03-00-00-A-R0	



ITEM NO.	PART NUMBER	NAME	
1	P3-AF03-01-00-P	Tube 1	2
2	P3-AF03-03-00-P	Plate	1
3	P3-AF03-02-00-P	Tube 2	2
4	P3-AF03-04-00-P	Pegs	2
5	ISO 4762 M6 x 35 A2	Screw M6 x 35 cylindrical head	2
6	Washer grower M6 A2	M6 washer	6
7	DIN 125 M6 A2	M6 Washer	6
8	ISO 7380 - M6 x 30 A2	Screw M6 x 30 rounded head	4
9	P3-AF03-05-00-P	Cushion	1
10	Spacer M6 5mm aluminium black	Spacer (*)	4

(*)Spacers:
 Don't use Spacer with Front basket gen2
 Use 2 spacers on the right with Front basket gen1
 Use 4 spacers without front basket

Exploded view	43
Front frame seat	
P3-AF03-00-00-A-R0	