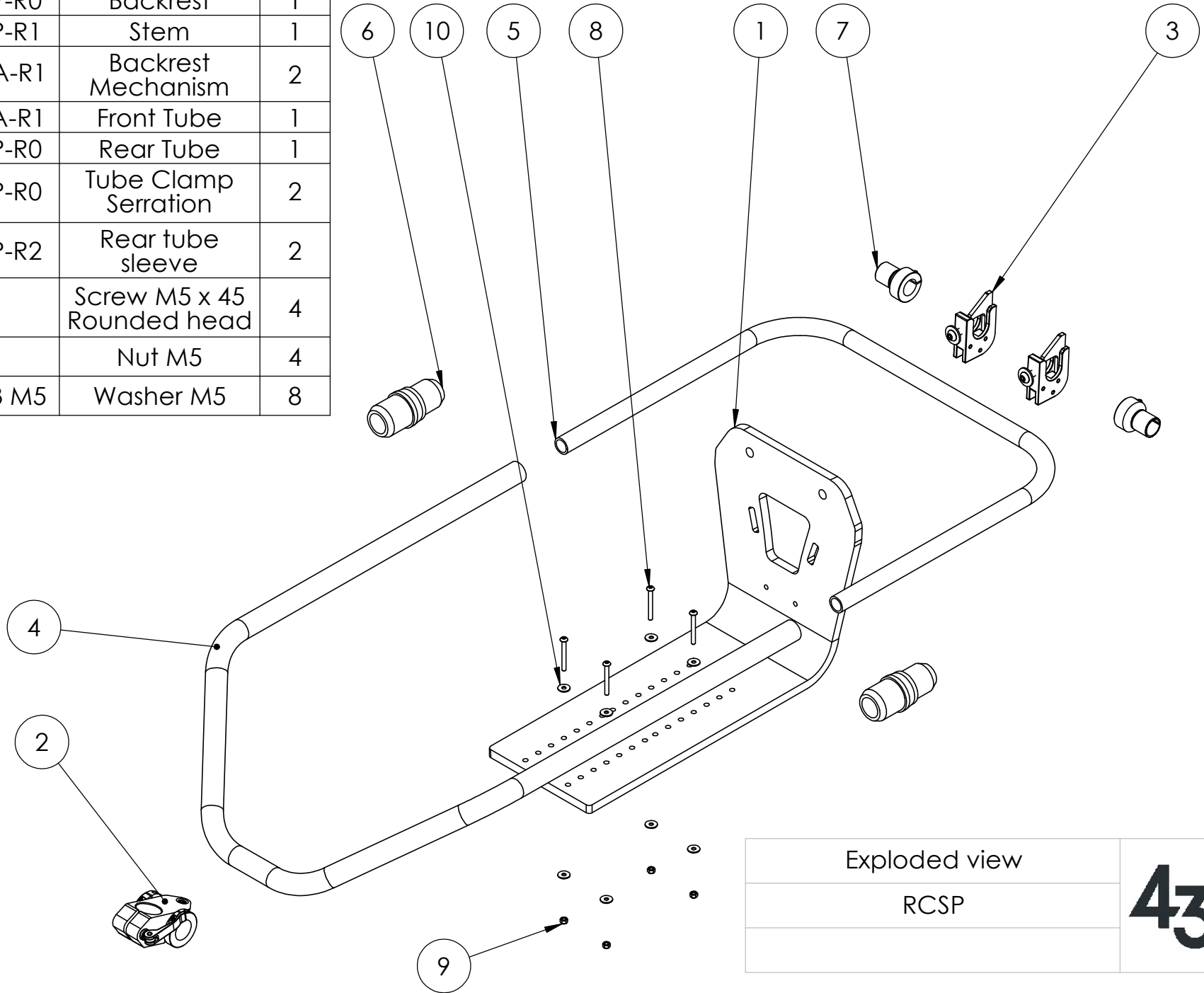
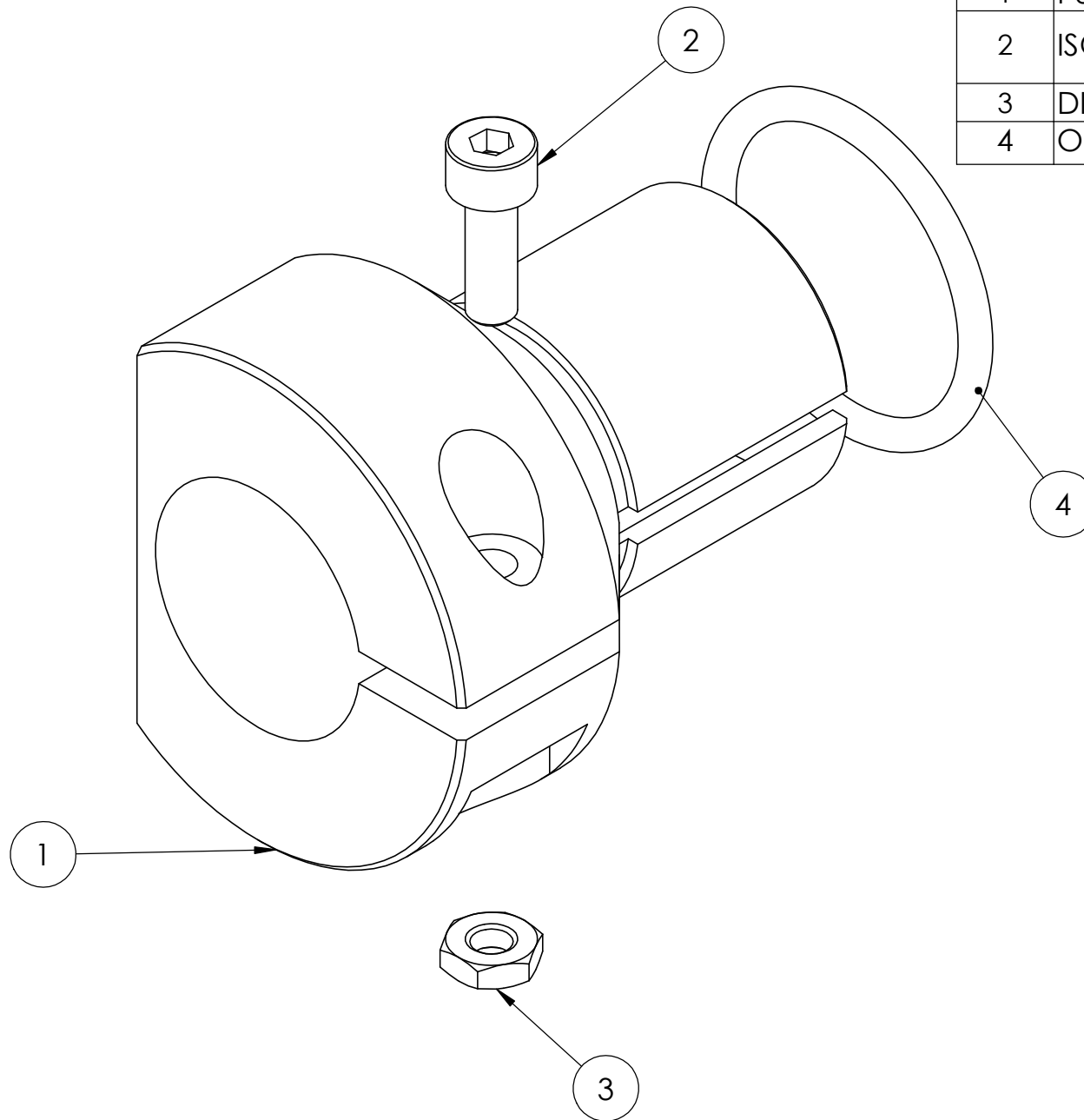


ITEM NO.	PART NUMBER	DESCRIPTION	QTY.
1	P3-AR03-01-00-P-R0	Backrest	1
2	P3-AR04-01-00-P-R1	Stem	1
3	P3-AR04-02-00-A-R1	Backrest Mechanism	2
4	P3-AR04-03-00-A-R1	Front Tube	1
5	P3-AR03-06-00-P-R0	Rear Tube	1
6	P3-AR03-07-00-P-R0	Tube Clamp Serration	2
7	P3-AR04-04-00-P-R2	Rear tube sleeve	2
8	Screw ISO7380 M5x45	Screw M5 x 45 Rounded head	4
9	DIN 985 M5 A2	Nut M5	4
10	Washer ISO7093 M5	Washer M5	8

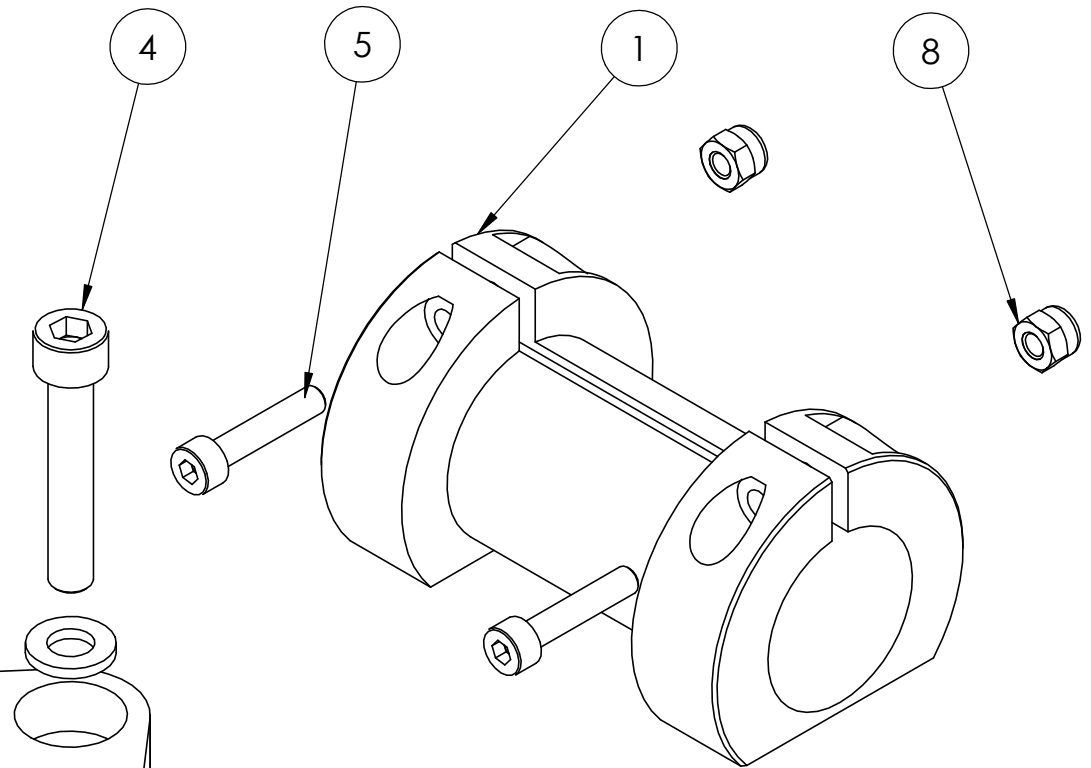
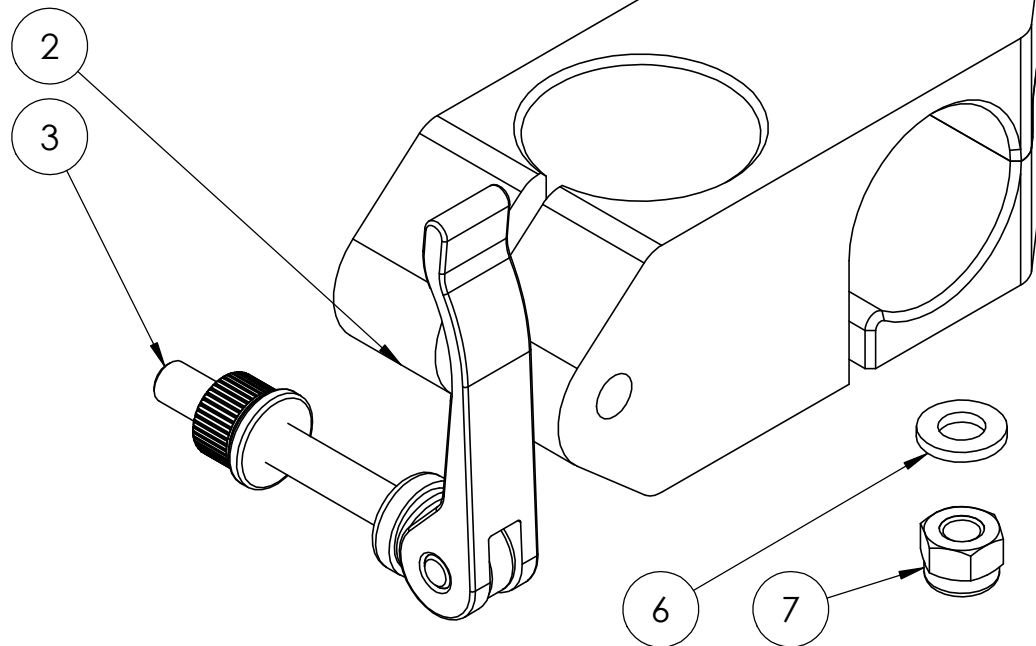


ITEM NO.	PART NUMBER	DESCRIPTION	QTY.
1	P3-AR04-04-00-P-R3	Rear tube sleeve	1
2	ISO 4762 M4 x 20 A2	Screw M4 x 20 cylindrical head	1
3	DIN 985 M4 A2	Nut M4	1
4	O-ring		1



Exploded view	43
Rear tube sleeve	
P3-AR04-04-00-P-R3	

ITEM NO.	PART NUMBER	DESCRIPTION	QTY.
1	P3-AR04-03-02-P-R2	Front Tube Sleeve	1
2	P3-AR04-01-00-P-R1	Stem	1
3	Quick Release	Quick release	1
4	ISO 4762 M6 x 35 A2	Screw M6 x 35 cylindrical head	1
5	ISO 4762 M4 x 20 A2	Screw M4 x 20 cylindrical head	2
6	Washer DIN 125 M6 A2	Washer M6	2
7	DIN 985 M6 A2	Nut M6	1
8	DIN 985 M4 A2	Nut M4	2



Exploded view	43
Stem	
P3-AR04-01-00-P-R1	



